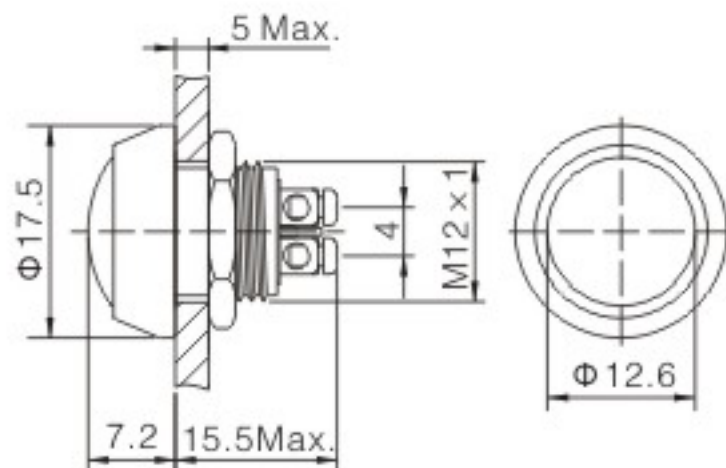


- ⊙  $\Phi$  12mm Diameter
- ⊙ Switch Rating: 2A/36VDC
- ⊙ Contact Configuration: 1NO
- ⊙ Operation Type: Momentary
- ⊙ The Crust material: Stainless steel
- ⊙ IP Degree: IP65(IP67 can be made to order) ,IK08



<b>GQ12B-10/S</b>		<b>Material</b>	<b>But ton</b>	PBT/Stainless Steel
			<b>Boday</b>	Zn-Al Alloy/Stainless Steel/Nickel Plated Brass
			<b>Base</b>	PBT
<b>Terminal Type</b>	Screw Terminal	<b>Operation Pressure</b>	About 5N	
<b>Screw Terminal</b>	x(double-break slow-motion contact)	<b>Operation Travel</b>	About 2.5mm	
<b>Panel Thi ckness</b>	1 ~ 5mm			
<b>Panel Thi ckness</b>	0.3Nm			
<b>Mechanical Life</b>	1,000,000 cycles			
<b>Electrical Life</b>	200,000 cycles	<b>RoHS</b>	Made to order	